

APPLICATIONS

- Liquid & gaseous mediums
- Corrosive environments
- Oil & Gas applications
- Chemical & Petrochemical
- Food & Beverages
- Nuclear power plants

FEATURES

- All stainless steel welded construction
- Solid front with full blow back design
- Standards followed EN 837-1 / ASME B40.100
- Accuracy as per $\pm 1.0\%$ / CL 1.0 / Grade 1A
- Dry / Fillable / Liquid filled

DESCRIPTION

General

Design : EN 837-1

Accuracy : $\pm 1.0\%$ of full scale

Ambient temperature : -40...+65°C [without dampening liquid]
-40...+65°C [with dampening liquid filled silicon oil]

Service temperature : 300°C max.

Pressure limits : Steady pressure up to FS value
Fluctuating pressure up to 90% of FS value
Short time 130% of FS value for range up to 100 bar
Short time 115% of FS value for range above 100 bar

Weld joints : TIG argon arc welding

Protection class as per EN 837-1 : S3

Material of construction

Sensing element : Bourdon Tube

[<100 bar : C - type , > 100 bar : Helical]

Case & Ring material : AISI 304 SS [Bayonet type]

Bourdon tube & Shank : AISI 316L SS / Monel

[Shank welded directly to case for rigidity in vibration field]

Movement mechanism : AISI 304 SS

Dial : Aluminum, black graduation on white background

Pointer : Micro-zero adjustable, aluminum, black powder coated

Gaskets & filling plug : Neoprene / NBR

Blow off disc : AISI 304 SS

Window : Shatterproof safety glass

SS SOLID FRONT SAFETY PRESSURE GAUGE, M101



Standard version

Dial size : 100 mm / 150 mm

Range : -1 - 0 - 1,600 bar

Mounting pattern : Direct Bottom

Process connection : 1/2" NPT (M) / 1/2" BSP (M)

Ingress protection : IP 65

Execution : Dry / Dry but fillable

Filled versions

Glycerin

Window : Shatterproof safety glass

Dampening liquid : Glycerin 99.7% / 80% / 60%
[Service temperature -20°C up to 65°C]

Silicon Oil

Window : Shatterproof safety glass

Gasket & filling plug : NBR / Viton

Dampening liquid : Silicon oil DC 200
[Service temperature -40°C up to 150°C]

Temperature effect

When temperature of the measuring system deviates from reference temperature (+20):
max $\pm 0.4\%$ / 10K of full scale value.

Magwell LLC

537 Cajundome Boulevard, Suite 111

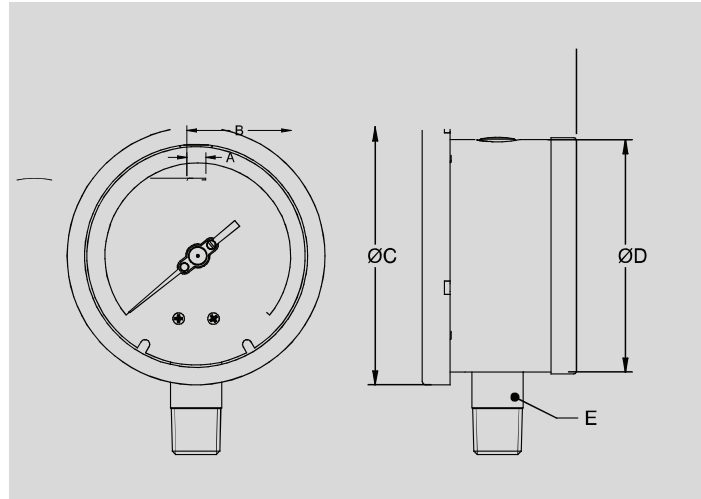
Lafayette LA 70506, USA

info@magwellus.com

(888) 624-9355



DIMENSIONAL DRAWING



NOTES

- Drawing not to scale. All dimensions are in mm.
- For other mounting details, Panel cut-out dimensions, kindly contact factory.

NS	A	B	ØC	ØD	E
100	12	66.5	111	100	□22
150	15	68.5	161	149	□22

ORDERING CODES

DIAL SIZE						100
100	4" / 100 mm	150	6" / 150 mm			
MODEL						M101
M101	Solid front safety pressure gauge					
MOUNTING						BT
BT	Direct bottom					
CONNECTION						4MN
2MN	¼" NPT (M)	4MN	½" NPT (M)	4MM	M20 X 1.5 mm (M)	
2MB	¼" BSP (M)	3MB	3/8" BSP (M)	4MB	½" BSP (M)	
CASE FILLING						D
D	Dry	G	Glycerin filled	S	Silicon oil filled	
WETTED PARTS						SL
SL	AISI 316L SS	MO	MONEL			
RANGE						0-150 psi
0-150 psi	Please mention range required with the measurement unit [Magwell offer in all types of National & International measurement units, e.g. kg/cm ² , psi, kPa, etc. with single or dual scales]					
OPTIONAL EXTRAS						CC=TP
CS	AISI 316 SS case & ring	OS	Internal overload stop	VS	Internal Vacuum stop	
SM	AISI 316 SS movement	DM	Dampened movement	MR	Maximum Reading pointer	
OP	Over range protection 1.5xFS	EC	Epoxy coating (Case & Ring)	NC	Tested to NACE standards	
CC	5 - point calibration certificate	MT	Material test certificate 3.1	BF	Back flange	
OC	Cleaned for Oxygen service	AC	Accuracy ±0.5%	2P	2" Pipe mounting bracket & clamp	
TP	AISI 316 SS tag plate	EZ	External zero adjustment			
CL	Custom Logo	DS	Dual scale marking			

Ordering Example : 100=M101=BT=4MN=D=SL=0-150 psi=CC=TP